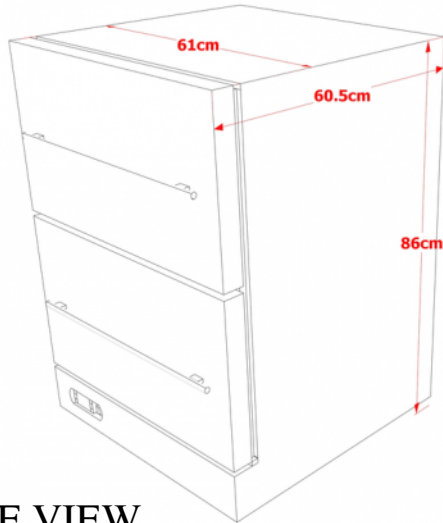
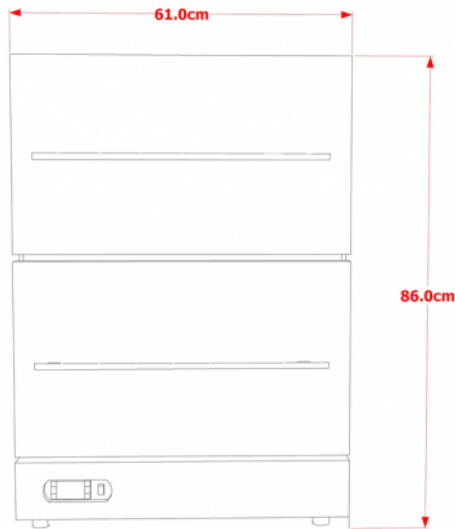
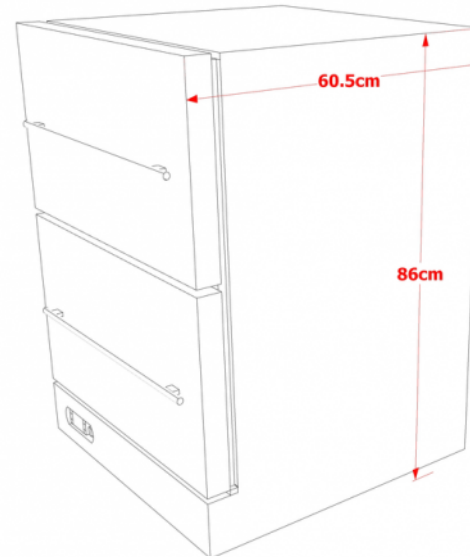


DOUBLE DRAWER REFRIGERATOR

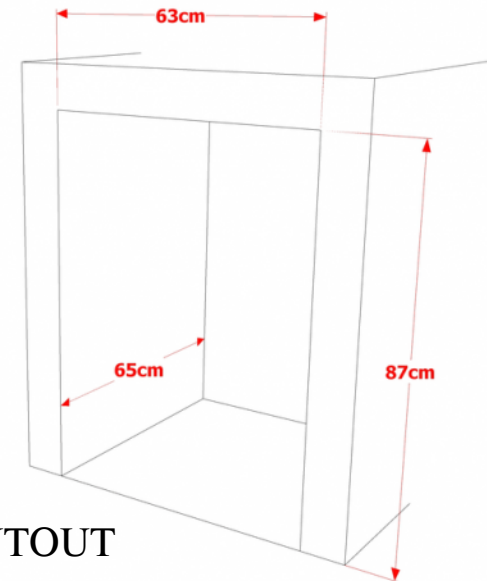
MODEL NO : Z3GLD



SIDE VIEW



FRONT VIEW



CUTOUT